



# **LOWE & FLETCHER**

## **EURO-LOCKS**

### **Coinlock**

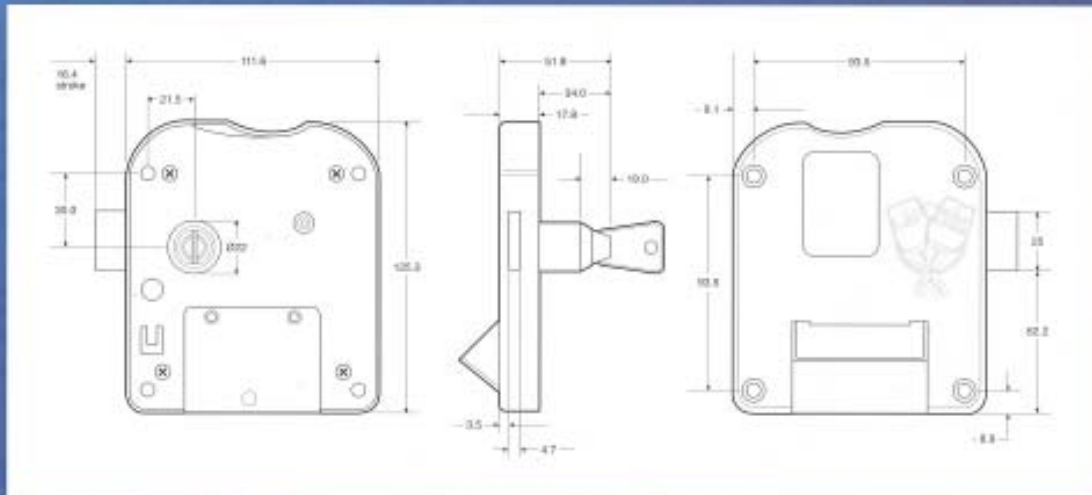
- Anti jamming mechanism
- Range of coin sizes
- Removable barrel system
- Supported key bow



[www.lowe-and-fletcher.co.uk](http://www.lowe-and-fletcher.co.uk)



# LOWE & FLETCHER EURO-LOCKS



## PRODUCT FEATURES

### Physical Dimensions

Body width	111mm
Body height	117.5mm
Body thickness	17.8mm
Size of bolt	25mm x 4.6mm
Lock protrusion	25mm
Panel thickness min	1mm
Panel thickness max	25mm
Bolt movement	16mm
Fixing centres	93.5 x 93.5mm
Fixing screw size	6mm

### Coinage Details

Maximum	31mm diameter
Minimum	20mm diameter
Tolerance on coin size	+/- 1%
Coin thickness max	3.2mm
Coin thickness min	1.5mm

### Typical Applications

- Dry environments
- Leisure centres
- Golf clubs
- Supermarkets

### Mechanical Requirements

Strength of bolt	1000 N
Operating cycles to failure	50,000
Operating torque	1 Nm
Maximum force on key	200 N
Vertical force on lock barrel	500 N
Horizontal force on lock barrel	500 N
Normal expected life	5 years

### Lock Details

Lock type	8 disc (66 series)
Mastered	Standard
Number of differs	2,000
Barrel removable	Yes
Type of key	Double entry steel
Shape of key	As current 66 series
Number of keys	2 as standard
Master and remover keys	Optional

### General Features

- Industry standard fixing dimensions
- Right hand version only
- Anti-jam mechanism
- Die cast bolt and top plate
- Plastic case and latch
- Coin slot closes on operation
- Coin return tray fitted as standard
- Coin entry on top face
- Guaranteed 12 months
- Chrome or self-colour back plate

[www.lowe-and-fletcher.co.uk](http://www.lowe-and-fletcher.co.uk)

[www.euro-locks.com](http://www.euro-locks.com)

+44 (0)121 505 0400