

SELECT PRO BOLT ON DEADLOCK



SPECIFICATION SHEET / 147

- Stainless steel deadbolt which moves 30mm with one turn of the key.
- Deadbolt is adjustable on length for precise fitting on site.
- Very easy to fit and comes in two sizes.



PRODUCT DETAILS

| Product code: | Description: |
|---------------|--|
| SBD1601 | To fit flat bar and up to 30mm box section |
| SBD1602 | To fit 40 to 60mm box section |

Marine grade: Salt spray tested for 1000 hours.

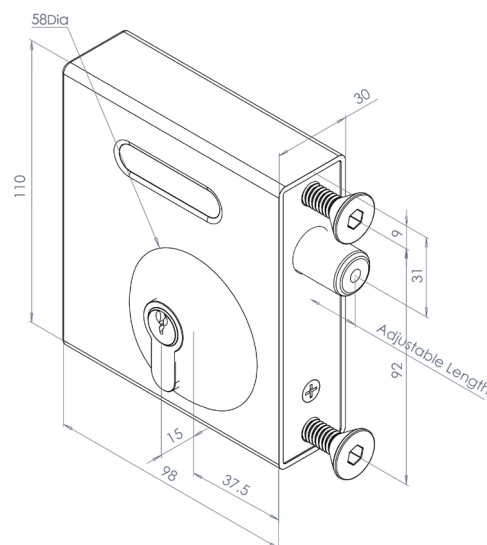
Deadbolt: Adjustable, moves 30mm.

Can be used for both left and right handed gates.



INSTALLATION

- Drill 2 x 9mm dia. holes at 92mm centres for M8 fixing bolt.
- Drill 18mm clearance hole for latchbolt at 22mm centres down from the top 9mm hole.
- Fix lock in place using stainless steel clamp plate, bolt support plate and 2 stainless steel countersunk fixing bolts supplied.
- Drill clearance hole in gate post to receive deadbolt/latchbolt. Slot this hole vertically to allow for gate sag – fix strike plate and bend back so the latchbolt slides smoothly.
- Ensure latchbolt moves freely without binding on gate or frame.
- MAINTENANCE** Every two months, lubricate the latchbolt with light oil. Annually, dismantle lock and spray the mechanism inside with light oil.



Check out our Gatemaster Locks channel to view installation videos!

G GATEMASTER

VISIT SIGNETLOCKS.CO.UK FOR MORE INFORMATION