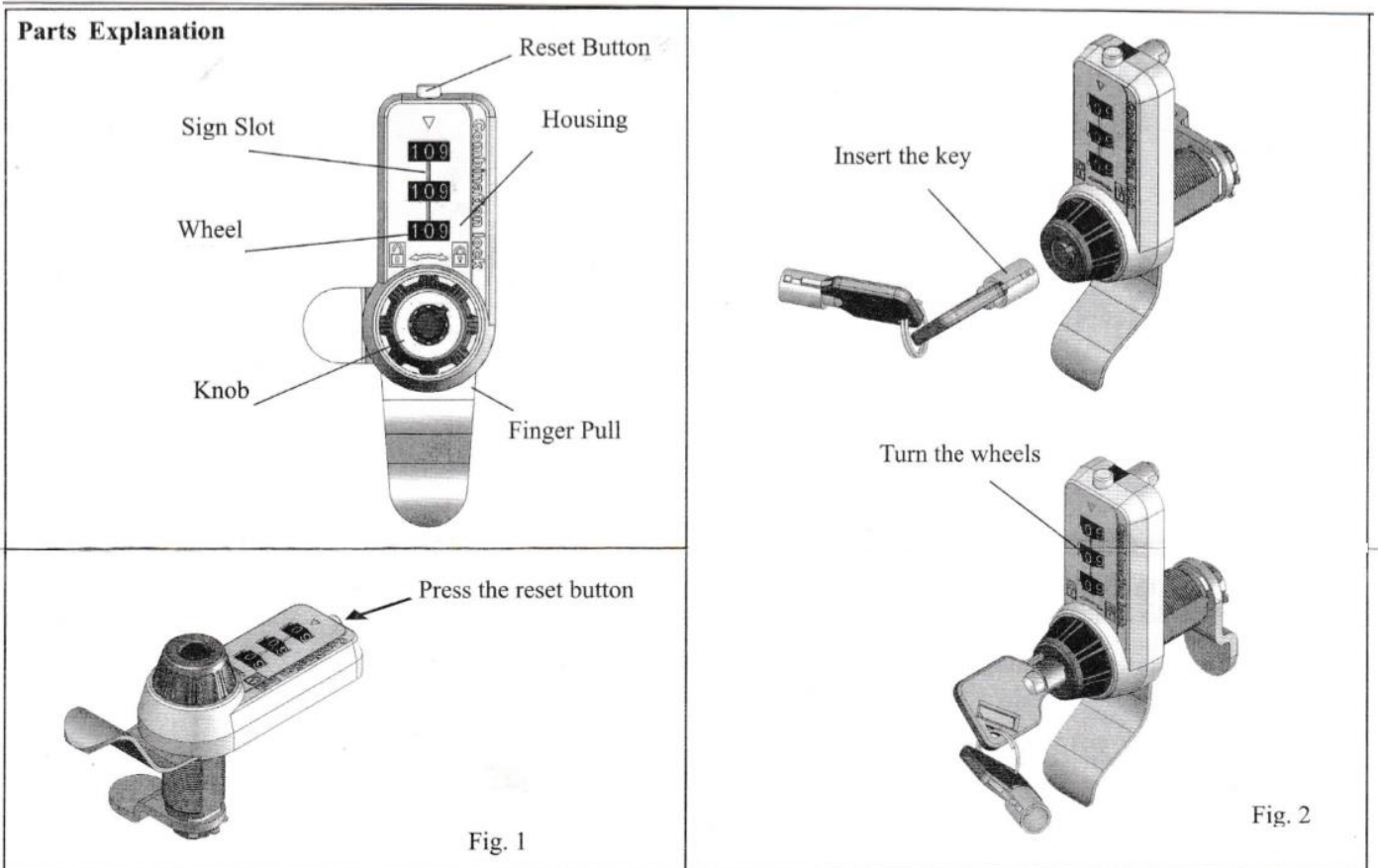


ATLAS 7440 COMBINATION CAMLOCK



Finger pull is optional component by customer

I. Manufacturer combination

1. Manufacturer Combination code 0-0-0.

II. Reset new combination code

1. Make sure the knob stays at '🔒' position then turn the wheels to the correct combination code.
2. Push down and hold the reset button (as Fig. 1) until you have done the new code resetting. Turn the 3 wheels to your desired new combination code and release the reset button.
3. Turn the knob to '🔓' -opening position. Congratulation! You have done the new code resetting.
4. Turn the knob back to '🔒' then random your combination code, it is locked now!

III. How to unlock

1. Way #1: Turn the 3 wheels to your key codes then turn the knob to '🔓' position.
2. Way #2: When the 3 wheels are incorrect, please insert the key to the knob then turn the knob to '🔓' position.

IV. Recall your forgotten codes

How to recall your forgotten codes

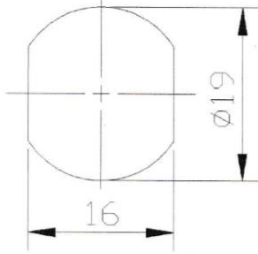
1. Insert the key into the knob then turn the key to '🔓' position. Turn the 3 wheels in sequence until it is stuck. (as Fig.2) The stuck numbers are your forgotten codes.
2. Please turn the key to '🔒' position then pull out the key. Congratulation! The forgotten codes are recalled successfully!

ATLAS 7440 COMBINATION CAMLOCK

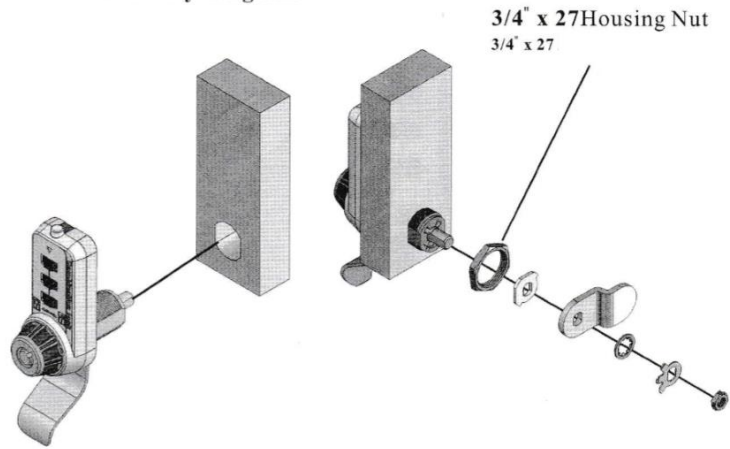
V · Two installation holes for choosing

1. Using the 3/4" X 27 housing nut to tighten.

a. Installation hole diagram

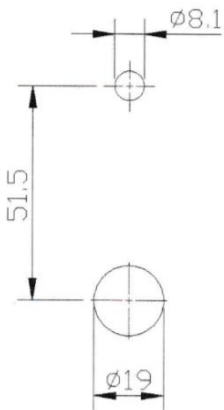


b. Assembly diagram

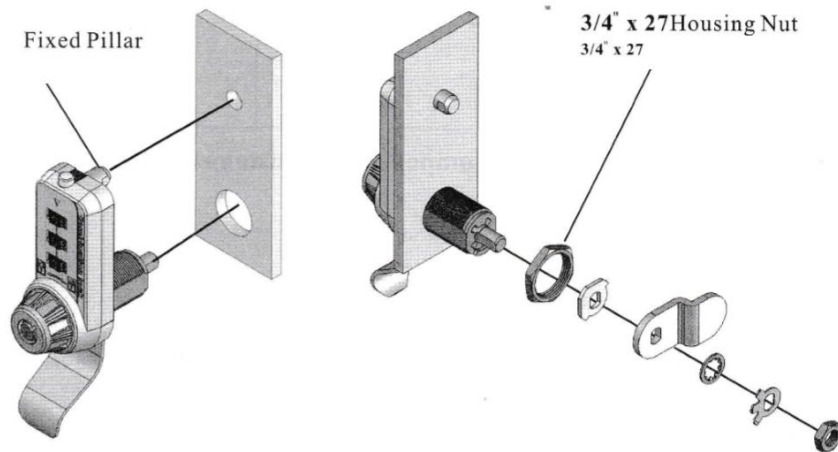


2. Using the 3/4"x27 housing nut to tighten, please add one ϕ 8x12 long fixed pillar to assist.

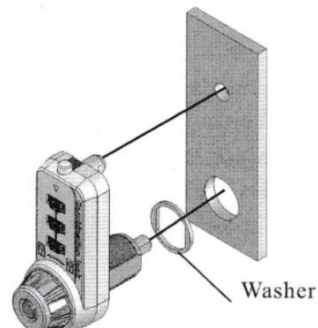
a. Installation hole diagram



b. Assembly diagram



VI · When the finger pull is not installed, please add one flat washer to assist the lock to fix



VII · Please note, before installing the cam, please turn the wheels to the correct combination code, and then tighten the cam by hex nut. Please comply with these steps when installing to ensure the internal components functions normally.”

NOTE: It may cause damages with incorrect installation.