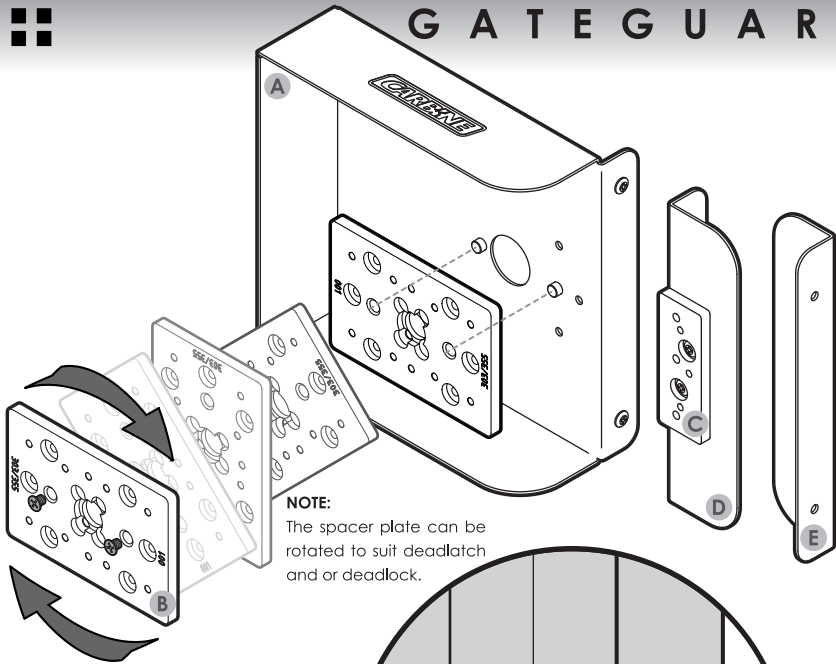
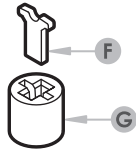


**GATE GUARD LOCK INSTALLATION INSTRUCTIONS**



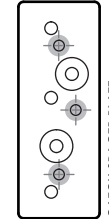
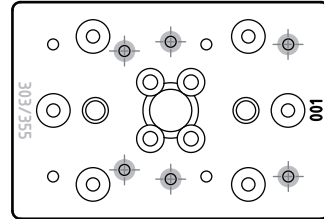
**PARTS LIST**

- A** LOCK CASE
- B** SPACER PLATE
- C** STRIKE SPACER PLATE
- D** STRIKE CASE
- E** STRIKE GUARD
- F** TAILBAR
- G** TAIL BAR ADAPTER



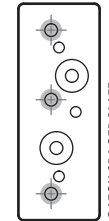
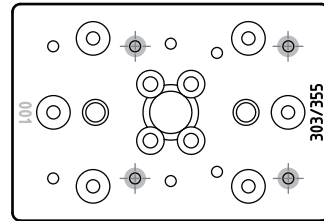
**001 DEADLATCH**

**001 DEADLATCH MOUNTING HOLES**



**303/355 DEADLOCK**

**303/355 DEADLOCK MOUNTING HOLES**

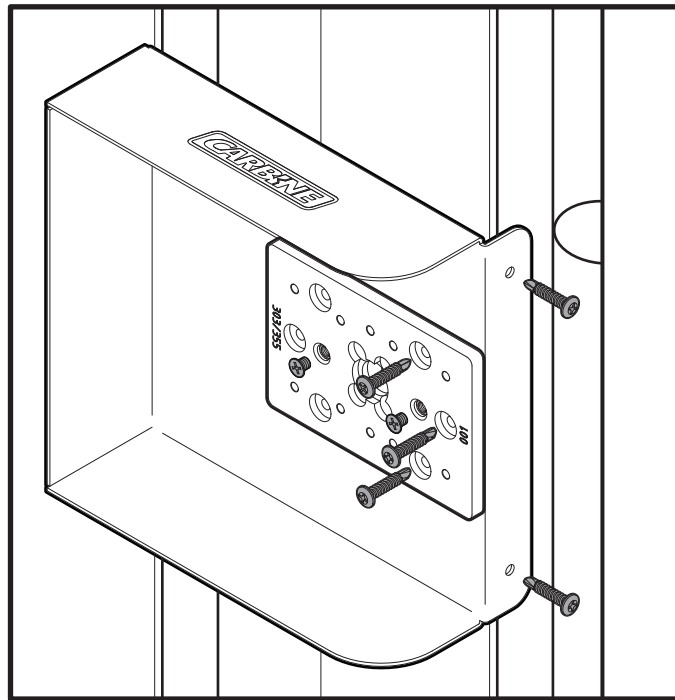
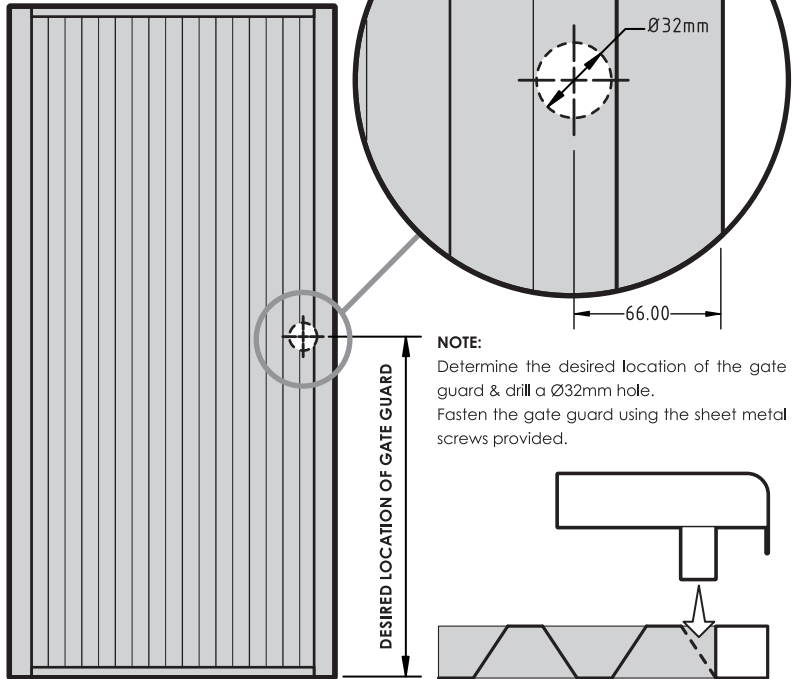


**FASTNERS**

- 45.00  
• RIM CYLINDER SCREWS x 2
- 25.00  
• SHEET METAL SCREWS x 12
- 10.00  
• DEADLOCK STRIKE SCREWS x 3
- 6.00  
• DEADLATCH STRIKE SCREWS x 3
- 6.00  
• DEADLOCK / DEADLATCH STRIKE SCREWS x 6

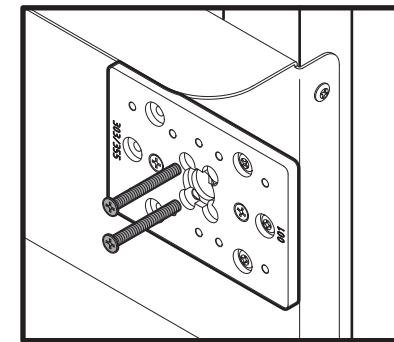
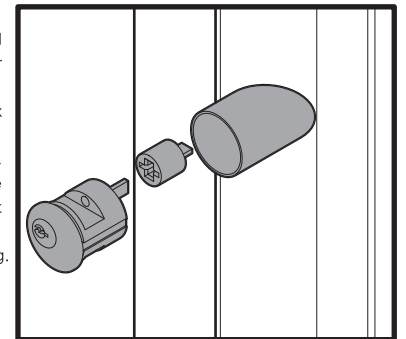
**TOOLS REQUIRED**

- Ø32mm Holesaw
- Philips Head Screwdriver
- Cordless Drill



**NOTE:**

Mount the rim cylinder and tail bar adapter on the other side of the gate guard. Secure cylinder using 2 x M5 x 45mm screws. When cylinder is secured, mount the chassis of the deadlatch and/or deadlock on the appropriate holes. Test operation before finishing.



**WARNING**  
 Please keep contents away from small children, may lead to suffocation.

**NOTE**  
 Please dispose of plastic bags & other packaging in a thoughtful manner.

