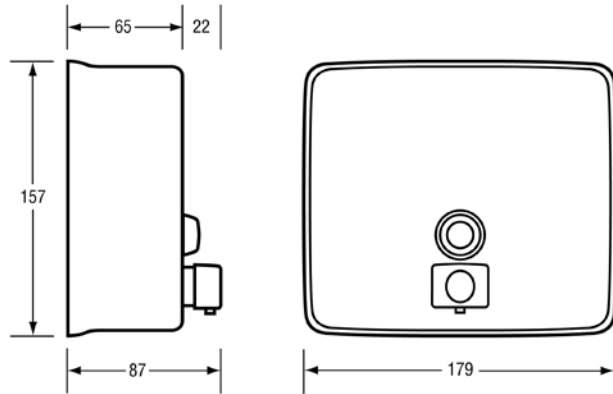




## MATERIAL SPECIFICATION & INSTALLATION GUIDE

### PRODUCT ITEM CODE & DESCRIPTION:

**ML 603 BS ~ SATIN STAINLESS STEEL, 1.2L LIQUID SOAP DISPENSER**



### MATERIAL SPECIFICATIONS / FEATURES:

#304 Grade Stainless Steel Body & Integrated Mounting Bracket - #3 Finish / ABS Black Pump Type Valve / Lockable / Soap Level Indicator / Fixings included

### DIMENSIONS:

Overall ~ 179mm W x 157mm H x 87mm D [Includes 22mm Soap Valve]

### INSTALLATION GUIDE:

1. May be subject to Australian Building Code Regulations for height/location fixing and/or subject to placement as per architectural drawings, which in all cases is the responsibility of the installer re compliance.
2. Remove wall mount bracket, locate height on wall and mark using fixing holes, ensuring bracket is level and even. Measure/Check Twice ... Drill Once
3. Drill holes and fit wall plugs / anchors then loosely secure bracket in place.
4. Check level and tighten fasteners, then locate dispenser onto bracket, pushing down to secure in place.
5. Open and lift soap fill lid, then tighten/secure retention screw located at top/rear to lock onto wall mount bracket. Test to ensure a secure fit to avoid easy removal.

**NOTE:** The recommended liquid soap (not included) *must* be either coconut or vegetable oil based to ensure correct function and operational longevity of the unit, plus compliance to Warranty conditions. **Do Not Use Corrosive /Abrasive type Soaps as Warranty will be voided.** To ensure long term functionality, regular maintenance should be carried out and is the responsibility of the property owner / cleaning staff.

*These units should only be installed by a competent tradesperson and Metlam Australia takes no responsibility for any damage to walls or fixtures due to incorrect installation.*